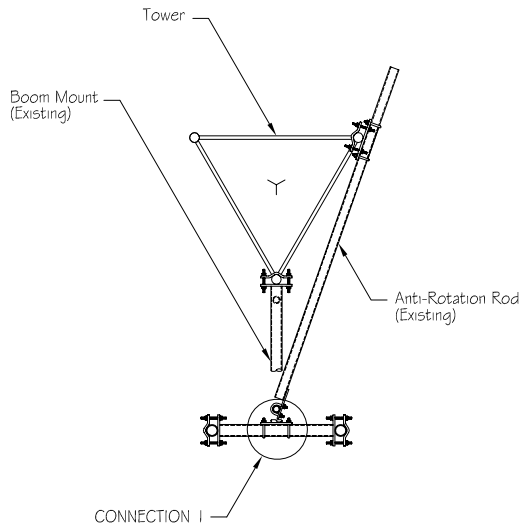
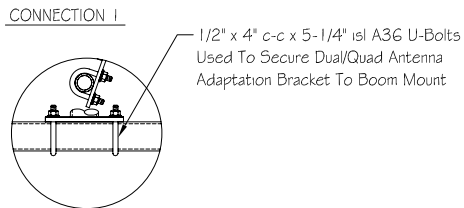
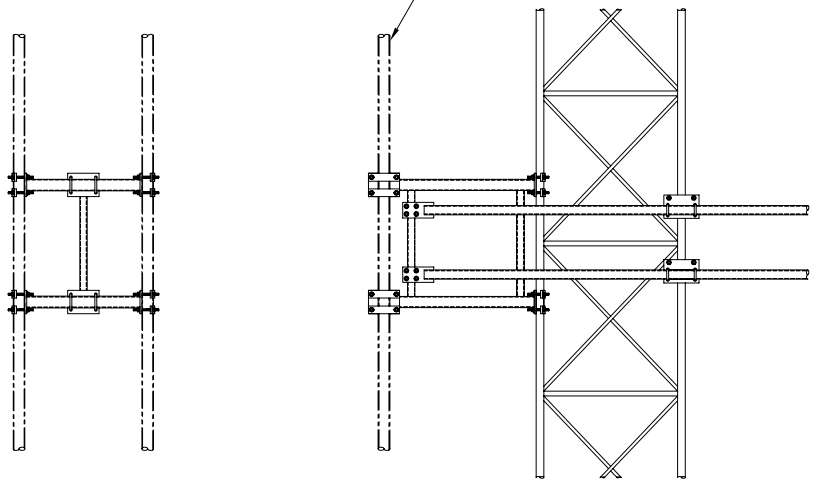


Typical Installation



Optional Antenna Mounts Are Shown In Phantom



1/2" x 4" c-c x 5-1/4" isl A36 U-Bolts Used To Secure Dual/Quad Antenna Adaptation Bracket To Boom Mount

STEEL PARTS

ITEM NO.	PART NO.	DESCRIPTION	QTY.
1	DAB3040-030-01	Dual/Quad Antenna Adaptation Bracket	2

HARDWARE

ITEM NO.	PART NO.	DESCRIPTION	QTY.
1	UB50X400G	1/2" x 4" c-c x 5-1/4" isl A-36 U-Bolts	4
2	NU050G	1/2" H.D.G. Nuts	8
3	WLO50G	1/2" H.D.G. Lockwashers	8

\*\* Flatwashers Are To Be Used At All Slotted Hole Locations !! \*\*

WEIGHT & ENGINEERING INFORMATION

KIT NO.	WEIGHT (lbs.)	DESCRIPTION	CaAc ( Sq. Ft.)
KDQ-030-01	70	30" Separation Whip Mount	N/A

KIT USE INFORMATION

- 1.) This Kit Is Designed To Withstand The Loading From Two Bogner BMR1 2 Antennas @ 90 mph.
- 2.) Antenna Mounting Pipes Not Included !



PH# (812) 853-0595  
FAX# (812) 853-6652  
2855 HIGHWAY 261  
NEWBURGH, IN. 47630

REV. #	DESCRIPTION	DATE	APP.	DRAWN	DATE
				J.J.B.	1-15-01
				CHECK	DATE
				APPROVAL	DATE

THIRD ANGLE PROJECTION 	COMPANY CONFIDENTIAL INFORMATION CONTAINED HEREIN IS CONFIDENTIAL. IT IS TO BE USED SOLELY FOR THE PURPOSE PROVIDED, AND IT IS NOT TO BE DISCLOSED TO OTHERS WITHOUT THE PRIOR WRITTEN CONSENT OF TOWER INNOVATIONS	TOLERANCES		UNLESS OTHERWISE SPECIFIED DIMENSIONS ARE IN:  INCHES	DWG NO. <b>KDQ-030-01</b>	REV —
		.X± 3/32"	ANGLES± 2°			

TITLE  
**UNIVERSAL DUAL/QUAD 30" SEPARATION MOUNT KIT**

DO NOT SCALE DRAWING