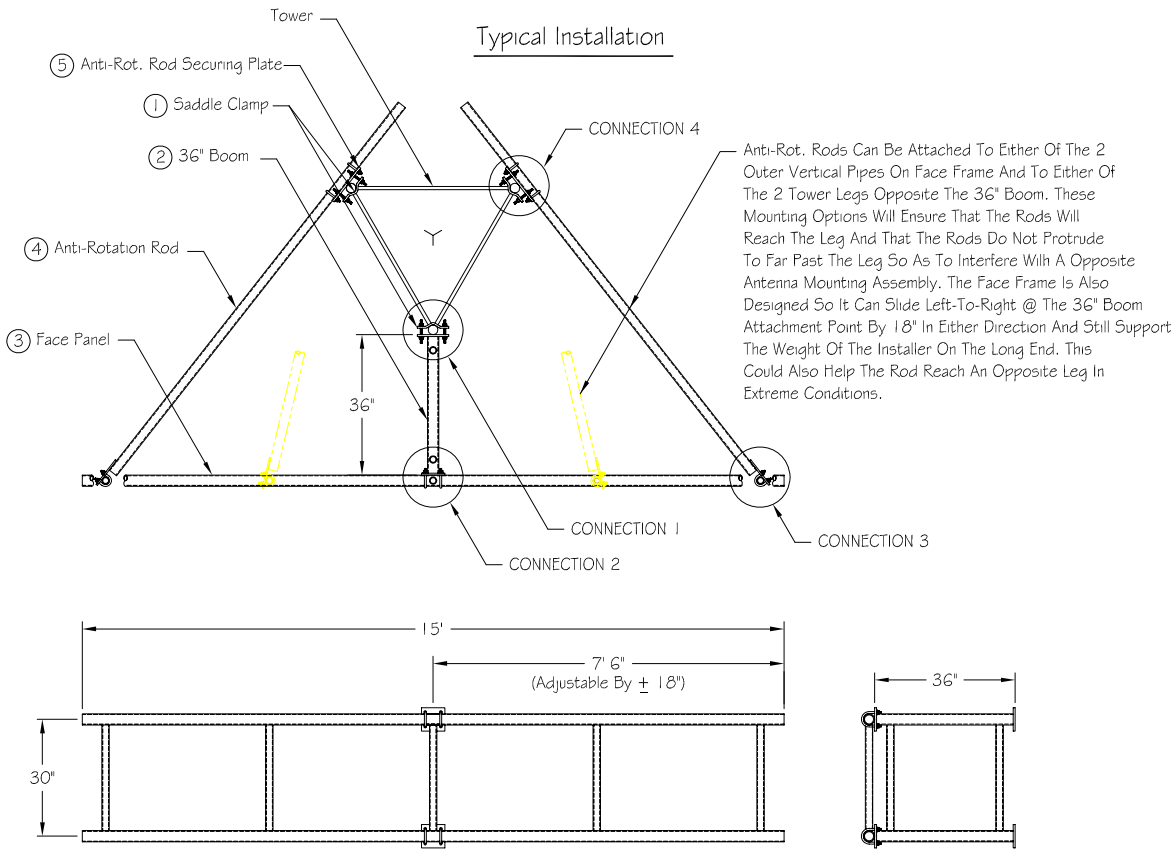
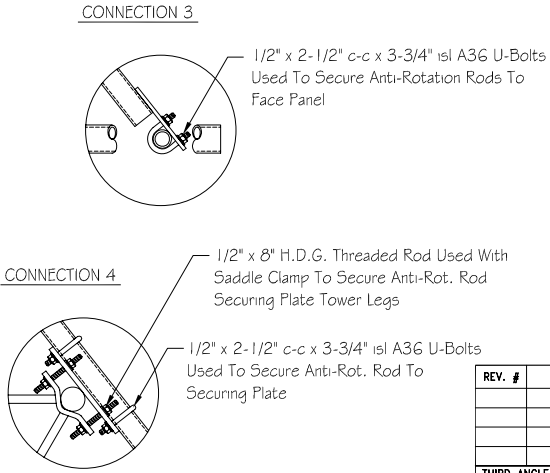
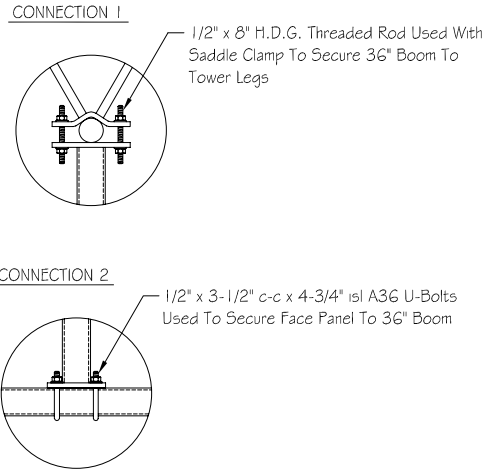


Typical Installation



Anti-Rot. Rods Can Be Attached To Either Of The 2 Outer Vertical Pipes On Face Frame And To Either Of The 2 Tower Legs Opposite The 36" Boom. These Mounting Options Will Ensure That The Rods Will Reach The Leg And That The Rods Do Not Protrude To Far Past The Leg So As To Interfere With A Opposite Antenna Mounting Assembly. The Face Frame Is Also Designed So It Can Slide Left-To-Right @ The 36" Boom Attachment Point By 18" In Either Direction And Still Support The Weight Of The Installer On The Long End. This Could Also Help The Rod Reach An Opposite Leg In Extreme Conditions.



STEEL PARTS

ITEM NO.	PART NO.	DESCRIPTION	QTY.
1*	CPS125575-50-01	Saddle Clamp For 1-1/4" - 5-3/4" Round Leg	6
2	UMO13-36	36" Boom	1
3	GM30H-15L	15' Face panel	1
4	GMAR-2472	Anti-Rot. Rod For 2' - 6' Tower Face	2
5*	GMARP-FF-01	Anti-Rotation Rod Securing Plate	2

HARDWARE

ITEM NO.	PART NO.	DESCRIPTION	QTY.
1	TR50X0800G	1/2" x 8" H.D.G. Threaded Rod	12
2	UB50X350G	1/2" x 3-1/2" c-c x 4-3/4" isl A-36 U-Bolts	4
3	UB50X250G	1/2" x 2-1/2" c-c x 3-3/4" isl A-36 U-Bolts	8
4	NU050G	1/2" H.D.G. Nuts	48
5	WL050G	1/2" H.D.G. Lockwashers	48
6	WF050G	1/2" H.D.G. Flatwashers	32

** Flatwashers Are To Be Used At All Slotted Hole Locations !! **

WEIGHT & ENGINEERING INFORMATION

KIT NO.	WEIGHT (lbs.)	DESCRIPTION	CaAc (Sq. Ft.)
KGM15-3672	395	15' Gate Mount	13.98

KIT USE INFORMATION

- 1.) This Kit Is Designed To Withstand The Loading From Four Panel Antennas @ 110 mph.
- 2.) Will Mount To Any Straight Section 3' - 6' Face With 1-1/4" Thru 5-3/4" Dia. Round Leg.
- 3.) Antenna Mounting Pipes Not Included !
- 4.) Steel Parts Indicated Above With An "*" Will Be Packed With The Hardware.


 PH# (812) 853-0595
 FAX# (812) 853-6652
 2855 HIGHWAY 261
 NEWBURGH, IN. 47630

TITLE
 UNIVERSAL 15' GATE MOUNT
DWG NO.
 KGM15-3672
 DO NOT SCALE DRAWING

REV. #	DESCRIPTION	DATE	APP.	DRAWN R.E.H.	DATE

TOLERANCES
 .X± 3/32" ANGLES± 2"
 .XX± 3/32" DRILLED HOLE± #1/32"
 .XXX± 1/16" BURNED HOLE± #1/16"

UNLESS OTHERWISE SPECIFIED DIMENSIONS ARE IN:
 INCHES

THIRD ANGLE PROJECTION

COMPANY CONFIDENTIAL INFORMATION CONTAINED HEREIN IS CONFIDENTIAL. IT IS TO BE USED SOLELY FOR THE PURPOSE PROVIDED, AND IT IS NOT TO BE DISCLOSED TO OTHERS WITHOUT THE PRIOR WRITTEN CONSENT OF TOWER INNOVATIONS

REV -