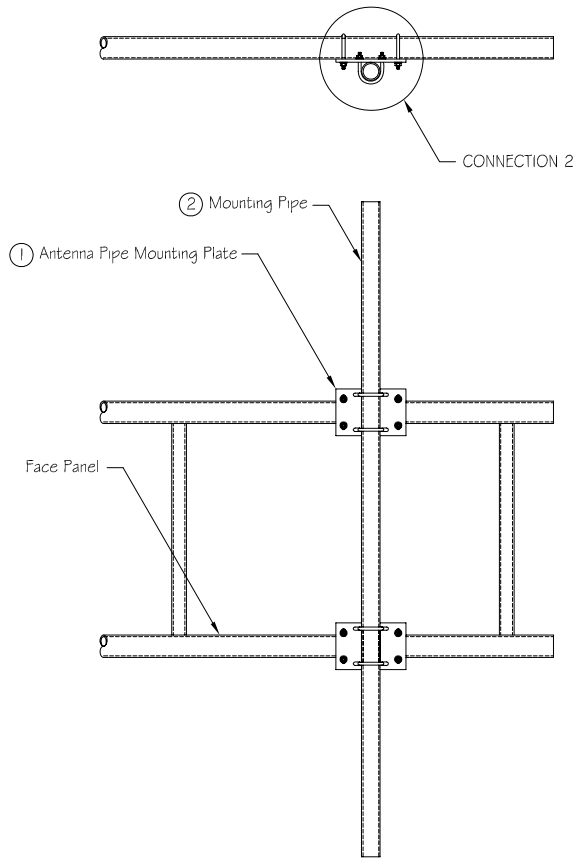


Typical Installation



STEEL PARTS

ITEM NO.	PART NO.	DESCRIPTION	QTY.
1*	GMAMP-02-03	Antenna Pipe Mounting Plate	2
2	MP2040X084	2" Sch 40 x 84" Long Antenna mounting Pipe	1

HARDWARE

ITEM NO.	PART NO.	DESCRIPTION	QTY.
1	UB37X350	3/8" x 3-1/2" c-c x 4-1/2" isl A-36 U-Bolts	4
2	UB37X300	3/8" x 3" c-c x 4" isl A-36 U-Bolts	4
3	NU037G	3/8" H.D.G. Nuts	16
4	WLO37G	3/8" H.D.G. Lockwashers	16
5	WFO37G	3/8" H.D.G. Flatwashers	16

** Flatwashers Are To Be Used At All Slotted Hole Locations !! **

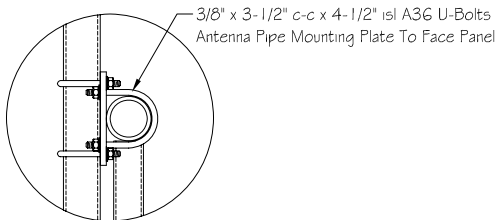
WEIGHT & ENGINEERING INFORMATION

KIT NO.	WEIGHT (lbs.)	DESCRIPTION	CaAc (Sq. Ft.)
KGM2040P084-01	39	2" Sch 40 x 84" Long Pipe	1.67

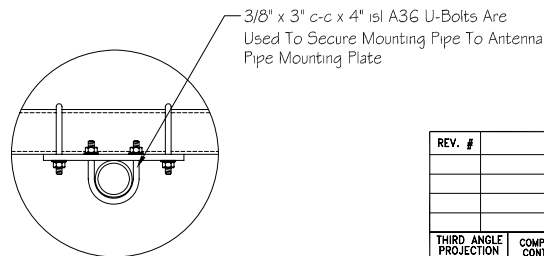
KIT USE INFORMATION

- 1.) This Kit Is Designed To Be Used With 2-1/2" Horizontal Pipe Mounting Panels.
- 2.) Steel Parts Indicated Above With An "*" Will Be Packed With The Hardware.

CONNECTION 1



CONNECTION 2



REV. #	DESCRIPTION	DATE	APP.	DRAWN R.E.H.	DATE 6-16-00
				CHECK	DATE
				APPROVAL	DATE

THIRD ANGLE PROJECTION

COMPANY CONFIDENTIAL INFORMATION CONTAINED HEREIN IS CONFIDENTIAL. IT IS TO BE USED SOLELY FOR THE PURPOSE PROVIDED, AND IT IS NOT TO BE DISCLOSED TO OTHERS WITHOUT THE PRIOR WRITTEN CONSENT OF TOWER INNOVATIONS

TOLERANCES
 .X± 3/32"
 .XX± 3/32"
 .XXX± 1/16"

ANGLES± 2"
 DRILLED HOLE± #1/32"
 BURNED HOLE± #1/16"

UNLESS OTHERWISE SPECIFIED DIMENSIONS ARE IN: INCHES

PH# (812) 853-0595
 FAX# (812) 853-6652
 2855 HIGHWAY 261
 NEWBURGH, IN. 47630

TITLE
STANDARD 2" SCH. 40 x 84" PIPE

DWG NO.
KGM2040P084-01

REV
 -

DO NOT SCALE DRAWING