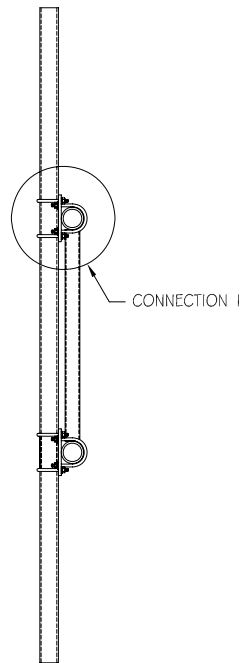
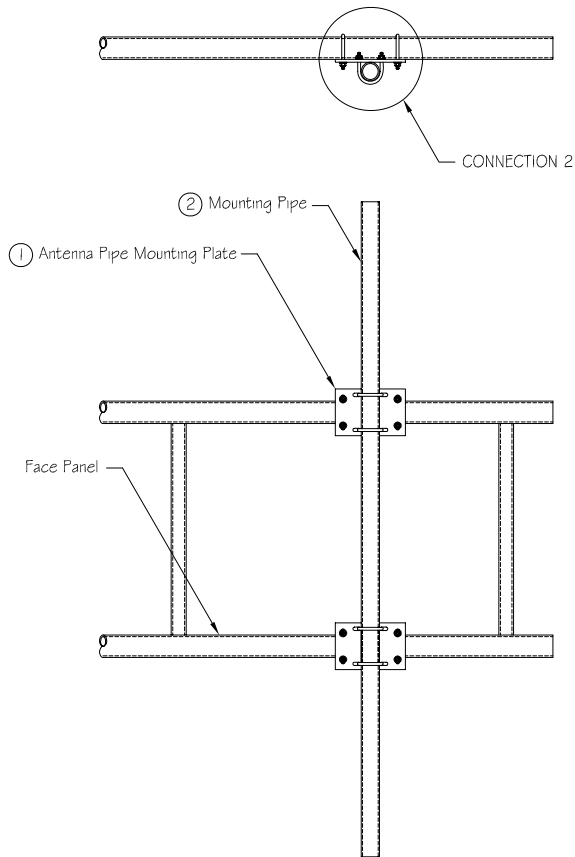


Typical Installation



STEEL PARTS

| ITEM NO. | PART NO. | DESCRIPTION | QTY. |
|----------|-------------|---|------|
| 1* | GMAMP-02-03 | Antenna Pipe Mounting Plate | 2 |
| 2 | MP2040X108 | 2" Sch 40 x 108" Long Antenna mounting Pipe | 1 |
| | | | |
| | | | |
| | | | |
| | | | |
| | | | |
| | | | |
| | | | |

HARDWARE

| ITEM NO. | PART NO. | DESCRIPTION | QTY. |
|----------|-----------|---|------|
| 1 | UB37X350G | 3/8" x 3-1/2" c-c x 4-1/2" Isl A-36 U-Bolts | 4 |
| 2 | UB37X300G | 3/8" x 3" c-c x 4" Isl A-36 U-Bolts | 4 |
| 3 | NU037G | 3/8" H.D.G. Nuts | 16 |
| 4 | WLO37G | 3/8" H.D.G. Lockwashers | 16 |
| 5 | WFO37G | 3/8" H.D.G. Flatwashers | 16 |
| | | | |
| | | | |
| | | | |
| | | | |
| | | | |
| | | | |
| | | | |
| | | | |

** Flatwashers Are To Be Used At All Slotted Hole Locations !! **

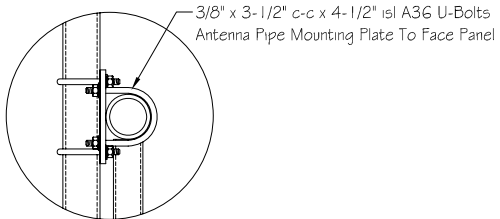
WEIGHT & ENGINEERING INFORMATION

| KIT NO. | WEIGHT (lbs.) | DESCRIPTION | CaAc (Sq. Ft.) |
|----------------|---------------|----------------------------|-----------------|
| KGM2040P108-01 | 42 | 2" Sch 40 x 108" Long Pipe | .75 |
| | | | |

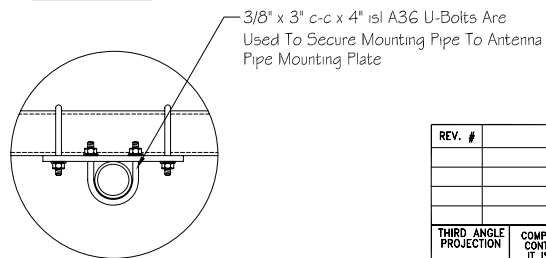
KIT USE INFORMATION

- 1.) This Kit Is Designed To Be Used With 2-1/2" Horizontal Pipe Mounting Panels.
- 2.) Steel Parts Indicated Above With An "*" Will Be Packed With The Hardware.

CONNECTION 1



CONNECTION 2



| | | | | | |
|--------|-------------|------|------|-----------------|-----------------|
| REV. # | DESCRIPTION | DATE | APP. | DRAWN R.E.H. | DATE 6-16-00 |
| | | | | CHECK | DATE |
| | | | | APPROVAL | DATE |

THIRD ANGLE PROJECTION

COMPANY CONFIDENTIAL INFORMATION CONTAINED HEREIN IS CONFIDENTIAL. IT IS TO BE USED SOLELY FOR THE PURPOSE PROVIDED, AND IT IS NOT TO BE DISCLOSED TO OTHERS WITHOUT THE PRIOR WRITTEN CONSENT OF TOWER INNOVATIONS

TOLERANCES

.X± 3/32" ANGLES± 2°

.XX± 3/32" DRILLED HOLE± #1/32"

.XXX± 1/16" BURNED HOLE± #1/16"

UNLESS OTHERWISE SPECIFIED DIMENSIONS ARE IN: INCHES

PH# (812) 853-0595
FAX# (812) 853-6652
2855 HIGHWAY 261
NEWBURGH, IN. 47630

TOWER INNOVATIONS

| | |
|---|--|
| <p>TITLE STANDARD 2" SCH. 40 x 108" PIPE</p> | <p>DWG NO. KGM2040P108-01</p> |
| <p>DO NOT SCALE DRAWING</p> | |