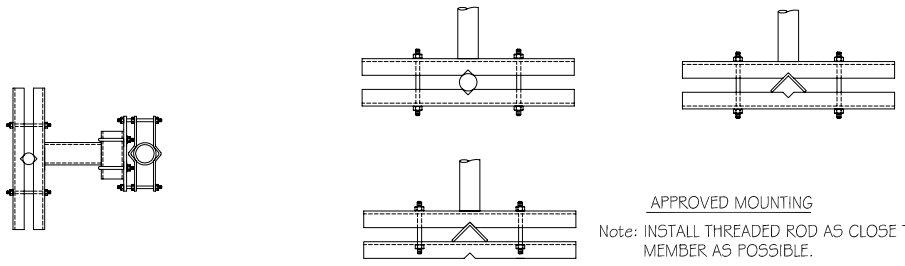
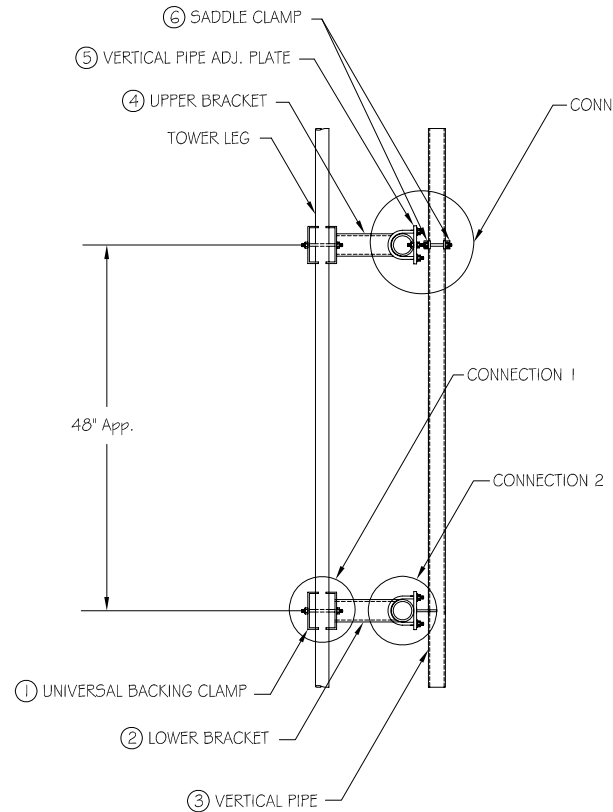


TYPICAL INSTALLATION



APPROVED MOUNTING  
 Note: INSTALL THREADED ROD AS CLOSE TO MEMBER AS POSSIBLE.

INCORRECT MOUNTING  
 Note: DO NOT INSTALL SO THEA THE EDGE OF THE V-NOTCH IS CLOSE TO EDGE OF ANGLE.



3/4" x 1/6" H.D.G. THREADED ROD IS USED TO SECURE UNIVERSAL BACKING CLAMP, LOWER BRACKET, & UPPER BRACKETS TO TOWER LEG.

CONNECTION 1

5/8" x 4-1/4" c-c x 5-3/4" IS1 A36 U-BOLTS ARE USED TO SECURE VEDTRICLE PIPE TO LOWER BRACKET.

CONNECTION 2

5/8" x 4-1/4" c-c x 5-3/4" IS1 A36 U-BOLT ARE USED TO SECURE VEDTRICAL PIPE TO LOWER BRACKET.  
 3/4" x 1/6" H.D.G. THREADED ROD IS USED WITH SADDLE CLAMPS TO SECURE VERTICAL PIPE TO VERTICAL PIPE ADJ. PLATE.  
 Note: THREADED ROD IS USED TO ADJUST PIPE TO A VERTICAL POSITION!

CONNECTION 3

STEEL PARTS

ITEM NO.	PART NO.	DESCRIPTION	QTY.
1*	UM001	UNIVERSAL BACKING CLAMP	2
2	UM010	LOWER BRACKET	1
3	UM008	VERTICAL PIPE	1
4	UM011	UPPER BRACKET	1
5*	UM009	VERTICAL PIPE ADJUSTMENT PLATE	1
6*	UM012	SADDLE CLAMP	2

HARDWARE

ITEM NO.	PART NO.	DESCRIPTION	QTY.
1	TR75X1600G	3/4" x 16" H.D.G. THREADED ROD	6
2	UG2X425G	5/8" x 4-1/4" c-c x 5-3/4" IS1 A36 U-BOLTS	4
3	TR75X1000G	3/4" x 10" H.D.G. THREADED ROD	4
4	NU075G	3/4" H.D.G. NUTS	24
5	WLO75G	3/4" H.D.G. LOCKWASHERS	24
6	NU062G	5/8" H.D.G. NUTS	8
7	WLO62G	5/8" H.D.G. LOCKWASHERS	8

\*\* Flatwashers Are To Be Used At All Slotted Hole Locations !! \*\*

WEIGHT & ENGINEERING INFORMATION

KIT NO.	WEIGHT (lbs.)	DESCRIPTION	CaAc ( Sq. Ft.)
KVPO-7D48-01	130	UNIVERSAL PIPE ASSEMBLY	3.33

- KIT USE INFORMATION
- THIS KIT IS DESIGNED TO ADAPT TO THE FOLLOWING MEMBER RANGES.
    - 2" x 2" THRU 11" x 11" 60° ANGLE.
    - 2" x 2" THRU 8" x 8" 90° ANGLE.
    - 1-1/2" THRU 10-3/4" ROUND MEMBERS.
  - THIS MOUNTING ASSEMBLY PROVIDES A 3-1/2" VERTICAL MOUNTING PIPE TO ADAPT ANTENA MOUNTS TO TAPERED TOWER SECTIONS, ANGLE LEG TOWERS, AND LARGE ROUND LEG TOWERS.
  - 3/4" x 10" THD ROD IS PROVIDED TO MINIMIZE INSTALLING WHERE 1/6" THD ROD IS NOT REQUIRED ON SMALLER TOWER MEMBERS.
  - EXTRA 3/4" NUTS ARE PROVIDED FOR EASE OF INSTALLATION SO THAT YOU CAN DOUBLE NUT THD ROD TO PREVENT THD ROD FROM SPINNING DURING INSTALLATION.
  - STEEL PARTS INDICATED ABOVE WITH AN "\*" WILL BE PACKED WITH THE HARDWARE.

REV. #	DESCRIPTION	DATE	APP.	DRAWN	DATE
				J.R.S.	2-15-05
				CHEK	DATE
				APPROVAL	DATE

PH# (812) 853-0595  
 FAX# (812) 853-6652  
 2855 HIGHWAY 261  
 NEWBURGH, IN. 47630

TITLE: Universal Vertical Pipe Assembly (0" - 7")  
 DWG NO.: KVPO-7D48-01  
 REV: -

TOLERANCES: UNLESS OTHERWISE SPECIFIED DIMENSIONS INCHES  
 .x± 3/32" ANGLES± 2°  
 .XX± 3/32" DRILLED HOLES± #1/32"  
 .XXX± 1/16" BURNED HOLES± #1/16"

COMPANY CONFIDENTIAL INFORMATION CONTAINED HEREIN IS CONFIDENTIAL. IT IS TO BE USED SOLELY FOR THE PURPOSE PROVIDED, AND IT IS NOT TO BE DISCLOSED TO OTHERS WITHOUT THE PRIOR WRITTEN CONSENT OF TOWER INNOVATIONS.

THIRD ANGLE PROJECTION

DO NOT SCALE DRAWING